

THANK YOU FOR CHOOSING OUR QUALITY PRODUCTS.

In order to enjoy the mannequin for a long time, please pay attention to our care and handling recommendations.

PLEASE NOTE:

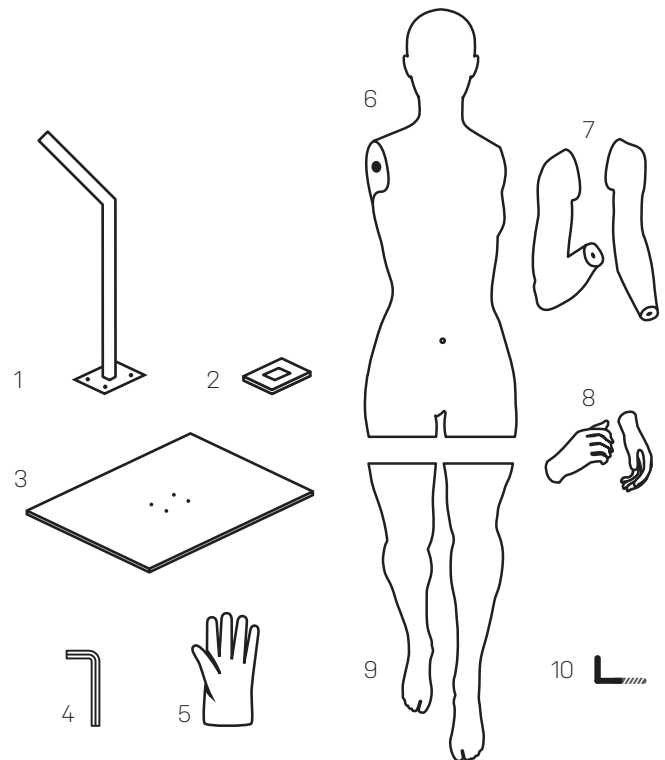
Since this style is part of an extensive sports collection, the bases are optimised for each pose to offer the best stability.

WHAT'S IN THE BOX:

- 1 four screws back pin assembly
- 2 square assembly mask
- 3 base plate with four screws
- 4 allen key
- 5 protection gloves
- 6 upper body part
- 7 arms with hook fitting
- 8 hands with L-Pin system
- 9 legs with magnetic fitting
- 10 hand accessory pin*

* hand accessory pin is pre-installed if possible for pose

Tip: We highly recommend you to mark each part of the mannequin, base and connectors in a non-visible area like the connection ports of the torso, legs, arms and hands to keep all the components together in case of future disassembly or reassembly.



ASSEMBLING INSTRUCTIONS:

STEP 1: Safety

Please take off all jewellery and put on gloves.

STEP 2: Opening the box

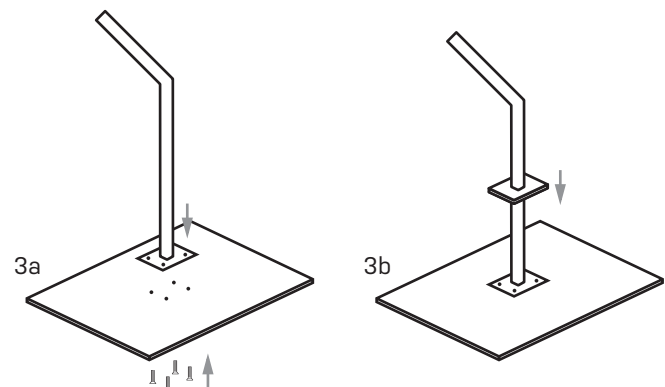
Use a box cutter / scissors to cut the straps, box and protective foam bags.

ATTENTION! Don't cut too deep to avoid damage on any of the mannequin components. Take all the parts out of the box one by one and place them on a soft surface.

STEP 3: Install the base on the floor

3a Screw the back pin (1) to the base plate (3).

3b Place the assembly mask (2) over the back pin.



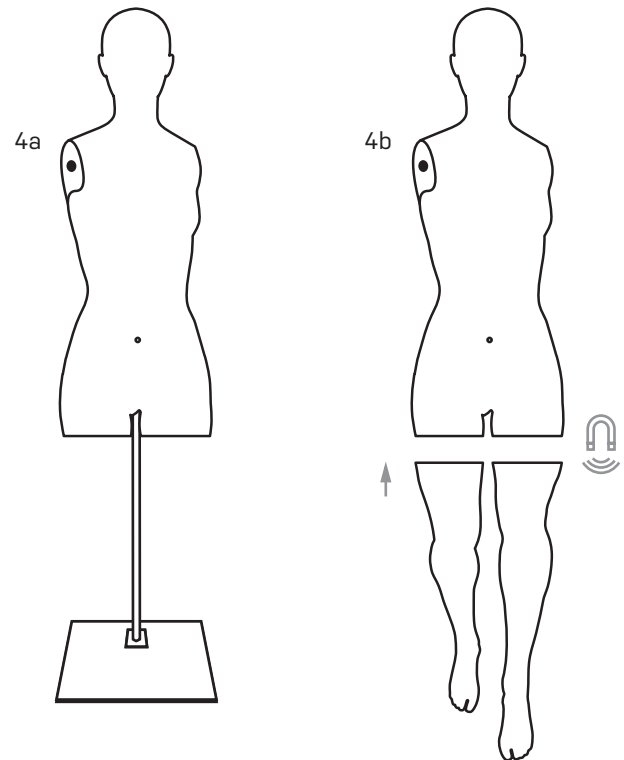
◀ begins on other side

STEP 4: Install the legs

4a Position the upper body part (6) on the base by inserting the pin into the back fixation. Ensure that the base is stable and on a flat surface to avoid any stability problems.

4b Attach the legs (9) to the upper body part (6) using the magnetic fitting.

Tip: This is a good time to dress bottoms and shoes.



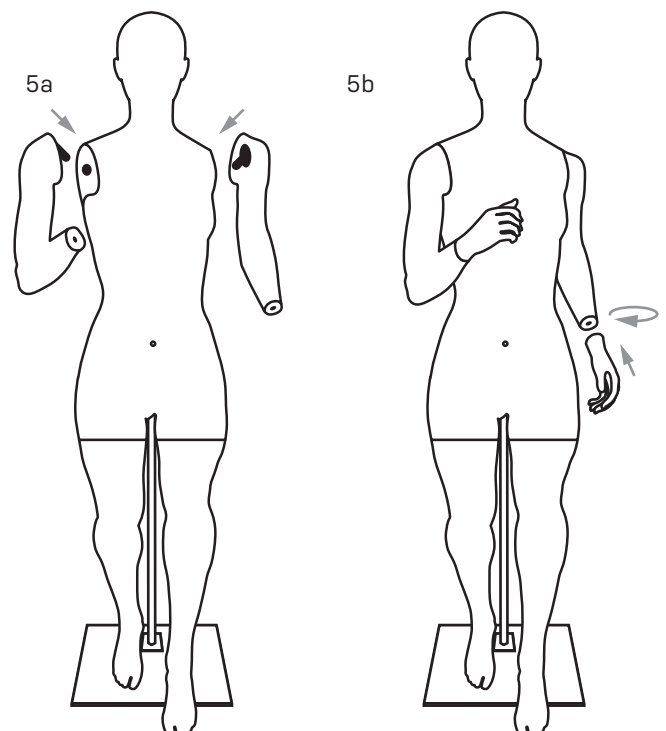
STEP 5: Install arms and hands

5a Connect the arms (7) onto the upper body part (6).

Tip: Before installing the arms, we recommend dressing tops first.

5b Connect the hands (8) inserting them and turning until they reach their final position.

Tip: Only connect the hands once the mannequin is completely dressed.



HANDLING & CARE GUIDELINES:

We recommend you to (dis)assemble the mannequin on a soft and flat surface to avoid any damage.

While dressing, one often inserts the arms through the neck opening of the garment. Please ensure that the hook-fitting is opposite from the chest and rotate the arm only when the position of the hook is in front of the insert in the body. This way you avoid damaging the paint on the mannequin.

In order to clean the mannequin, use a slightly moistened cloth with detergent that has been diluted with water. Minor stains can be removed with an eraser.