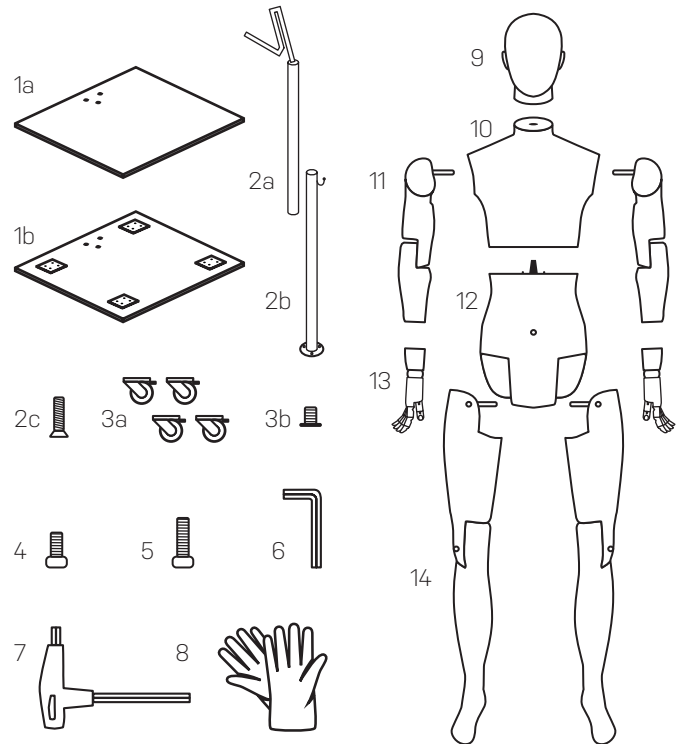


THANK YOU FOR CHOOSING OUR QUALITY PRODUCTS.

In order to enjoy your mannequin for a long time, please pay attention to our care and handling recommendations.

WHAT'S IN THE BOX:

- 1a. base
- 1b. base with wheels
- 2a. top upright
- 2b. bottom upright
- 2c. base screws
- 3a. 4 x castors wheels
- 3b. wheel screws
- 4. small screws (10 pcs)
- 5. medium screws (4 pcs)
- 6. hex key
- 7. spanner
- 8. gloves
- 9. head
- 10. upper body
- 11. arms
- 12. lower body
- 13. hands
- 14. legs



ASSEMBLING INSTRUCTIONS:

STEP 1: Safety

Please take off all jewellery and put on gloves.

STEP 2: Opening the box

Use a box cutter / scissors to cut the straps, box and protective foam bags.

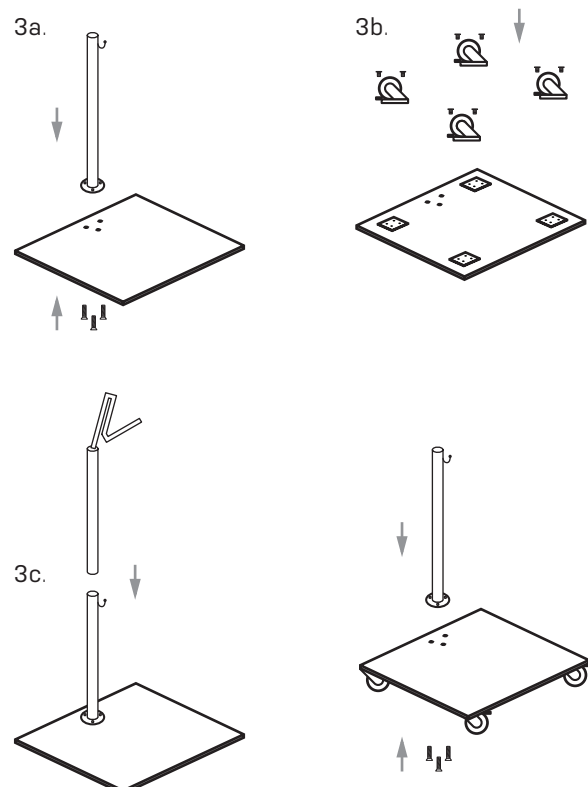
ATTENTION! Don't cut too deep to avoid damage on any of the mannequin components. Take all the parts out of the box one by one and place them on a soft surface.

STEP 3: Install the base

3a. Assemble the bar (2b) on base (1a) with the supplied screws (2c) and tighten.

3b. Install the wheels (3a) to the base using the supplied screws (3b) Assemble the bar (2b) on base (1b) with the supplied screws (2c) and tighten.

3c. Install the top upright (2a) to the bottom upright (2b).

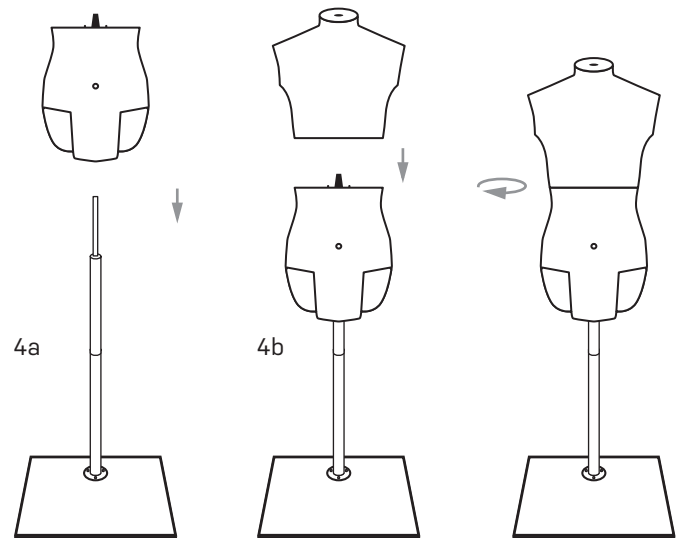


◀ begins on other side

STEP 4: Install torso

4a. Place the lower body (12) on the support bar.

4b. Place the upper body (10) on the lower body (12) slightly twisted and rotate the torso into its final position.



STEP 5: Install the legs

Attach the legs (14) to the lower body (12) using the supplied screws (5), select the pose and use the spanner (7) to tighten the screws (5) on the back.

Tip: This is the perfect position to dress trousers and put shoes on.

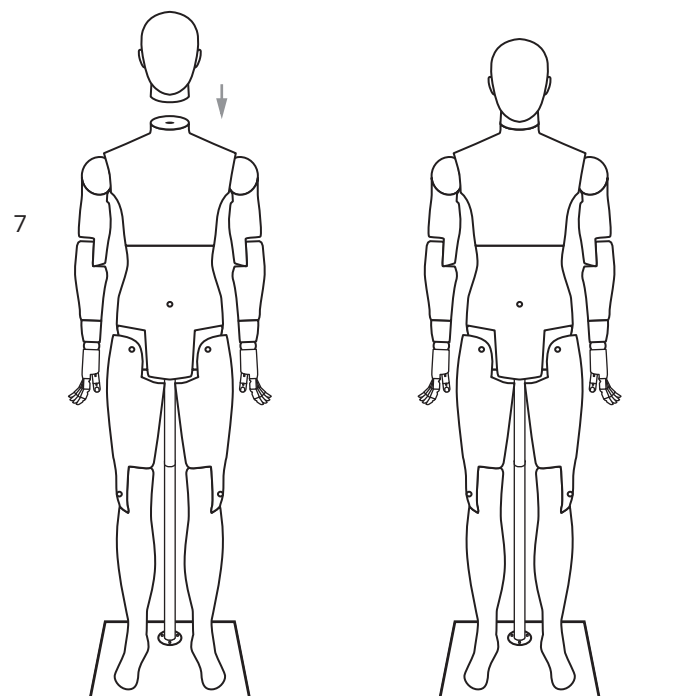
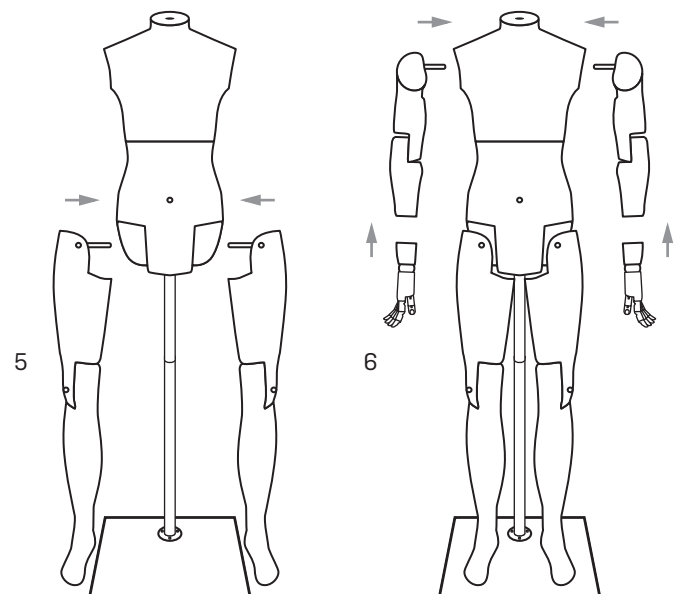
STEP 6: Install arms & hands

Connect the arms (11) onto the upper body (10) and use the spanner (7) to tighten the screws (5) on the back. Once the arms (11) are connected, bring the arms in the air for easy dressing of tops. After dressing they can be moved to find that perfect position.

Tip: Only connect the hands (13) once the mannequin is completely dressed.

STEP 6: Install the head

Connect the head (9) onto the upper body (10).



HANDLING & CARE GUIDELINES:

We recommend you to (dis)assemble the mannequin on a soft and flat surface to avoid any damage.

Please always remove any jewellery before handling a mannequin to avoid scratches. We advise using the provided gloves to avoid marks and stains.

While dressing, one often inserts the arms through the neck opening of the garment. Please ensure that the connector is opposite from the chest and rotate the arm only when the position of the ball is in front of the insert in the body. This way you avoid damaging the surface of the mannequin.

In order to clean the mannequin, please use a slightly moistened cloth with detergent that has been diluted with water. Minor stains can be removed with an eraser.

We highly recommend you to mark each part of the mannequin, base and connectors in a non-visible area like the connection ports of the torso, legs, arms and hands to keep all the components together in case of future disassembly or reassembly.