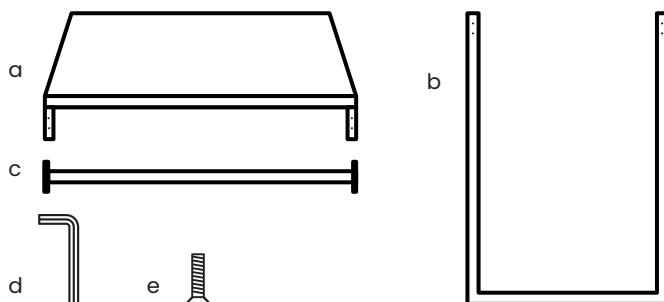


THANK YOU FOR CHOOSING OUR QUALITY PRODUCTS

In order to enjoy your new product for a long time, please pay attention to our care and handling recommendations.

WHAT'S IN THE BOX:

- a. table top
- b. 2 x table legs
- c. stability crossbeam
- d. allen key
- e. 12 x screws

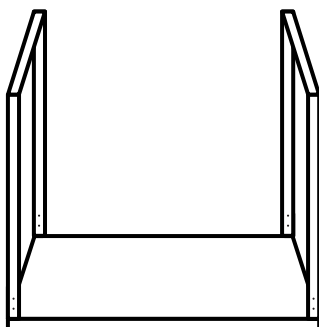
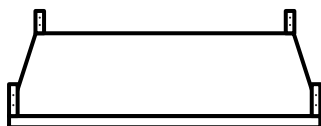


ASSEMBLING INSTRUCTIONS:

Use a box cutter / scissors to cut the straps, box and protective foam bags.

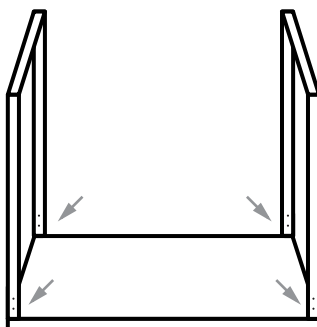
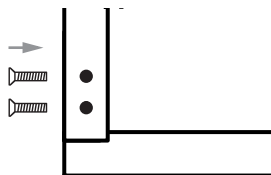
STEP 1: Assemble the legs

Place the table top (a) on a soft flat surface with the mounting brackets up.



STEP 2: Securing the legs to the top

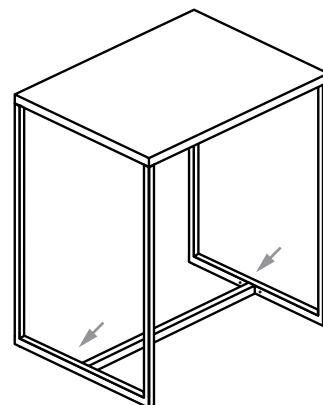
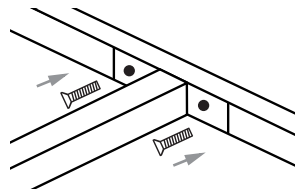
Hand-tighten the 8 screws that fix the table top to the legs in the correct position and using the included allen key make sure they are well tightened and secure.



STEP 3: Attaching the stability crossbeam

Place the table right side up and attach the crossbeam using the remaining screws.

Make sure that everything is tightened well.



HANDLING & CARE GUIDELINES:

To avoid unnecessary scratches and enjoy a great looking product for a long time please consider taking off all jewellery and (dis)assembling this product on a soft surface using gloves.

In order to clean the product, use a slightly moistened cloth with detergent that has been diluted with water.