

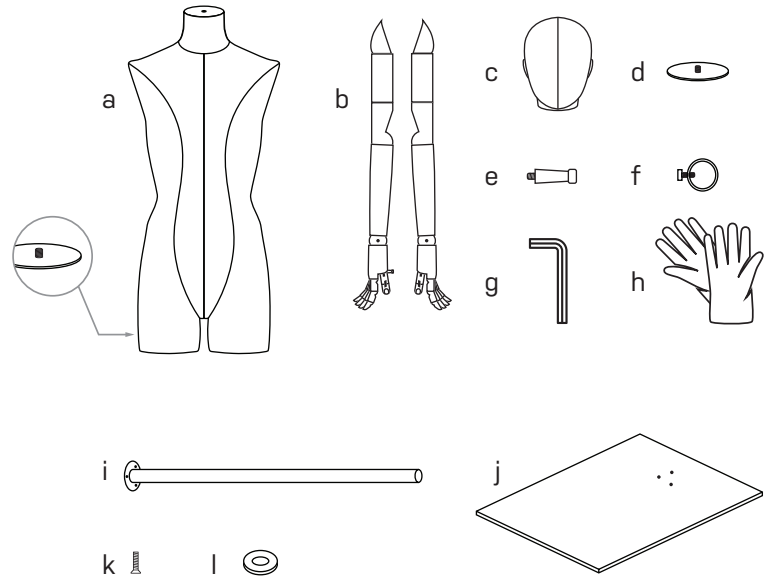
THANK YOU FOR CHOOSING OUR QUALITY PRODUCTS

In order to enjoy your mannequin for a long time, please pay attention to our care and handling recommendations.

WHAT'S IN THE BOX:

1. torso
2. arms
3. head
4. neck cap
5. accessory pin
6. ring support for bust stand
7. hex key
8. gloves
9. upright
10. base
11. 3x fixation screws*
12. assembly mask

* already installed in the upright



ASSEMBLING INSTRUCTIONS:

To avoid unnecessary scratches and enjoy a great looking product for a long time please consider taking off all jewellery and (dis)assembling this product on a soft surface using gloves.

STEP 1: Removing the screws

By using the allen key (g) provided, remove the three screws (k) from the upright (i).

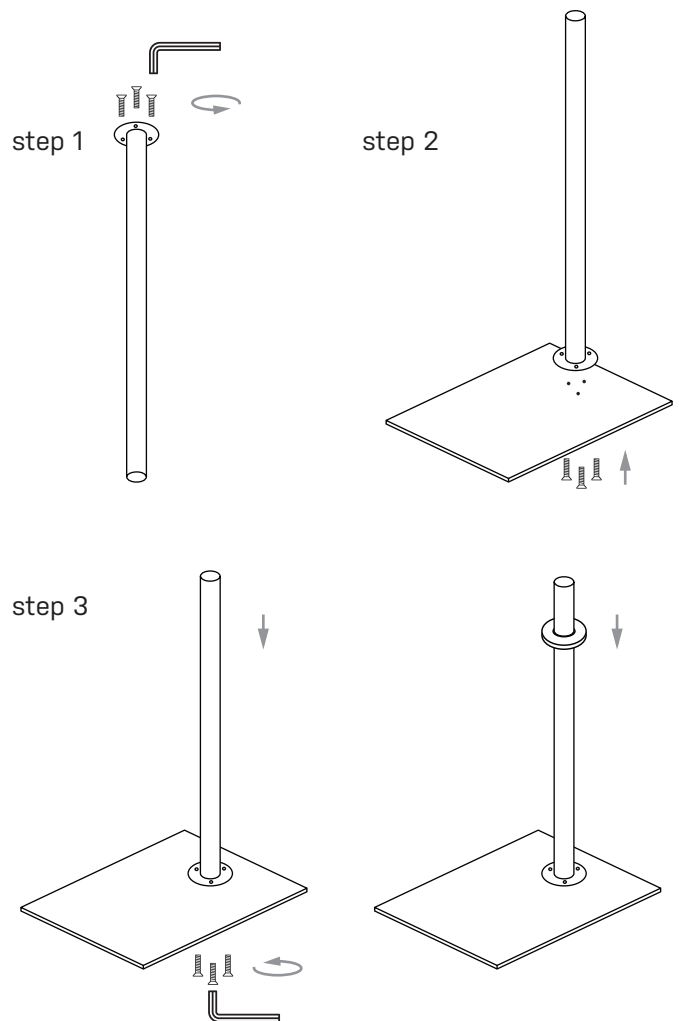
STEP 2: Mounting the upright to the base

Mount the upright to the base using the same screws (k) and tighten it with the allen key (g).

STEP 3: Securing the base

3a: By using the allen key (g) provided, tighten the three fixation screws (k) to guarantee the stability of the stand.

3b Installing the assembly mask: With the upright (i) firmly secured to the base (j), place the stand on the floor and slide in the assembly mask (l).



continues on the other side →

← starts on the other side

STEP 4: Assembling the stand

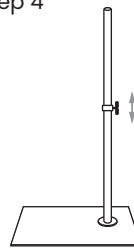
Before assembling the bust, first assemble the stand.
(Instructions on other side)

STEP 5: Connecting the bust to the stand

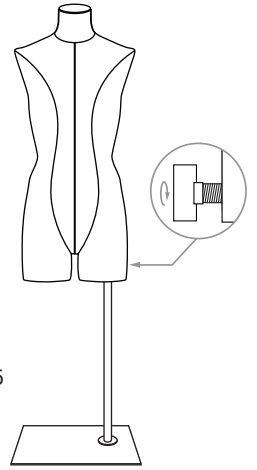
Please place the ring support (f) at the desired height on the tube of the stand. You can now insert the upright (i) into the left leg of the torso (a). To secure the bust in its final position, please tighten the butterfly screw.

NOTE! Short torso's have an centre fixation.

step 4



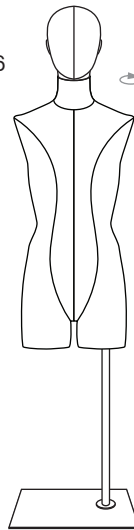
step 5



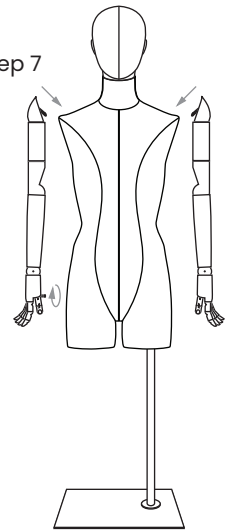
STEP 6: Attaching the head

If desired, the head (c) can be installed by simply unscrewing the neck cap (d) and screwing in the head (c).

step 6



step 7



STEP 7: Attaching the arms

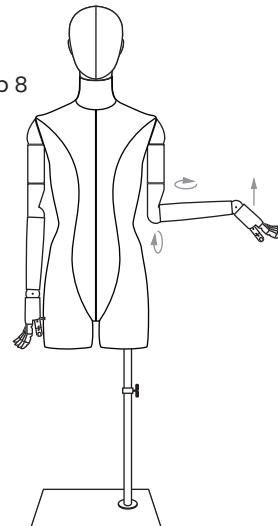
Connect the arms (b) onto the torso (a). Once the arms (b) are connected, they can be rotated front and back to find that perfect position.

NOTE! The accessory pin screws in the palm of the hand.

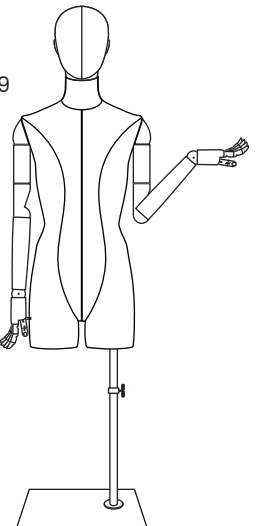
STEP 8: Pose

Use the new articulated arms system to create the desired pose for the bust.

step 8



step 9



Step 9: Fixation

After assembling, dressing and positioning the bust, tighten all screws to make sure the bust is stable, you can fix the arms into position by tightening the wrist screws.

TIP: This will not only keep the pose that you chose, but will also allow the addition of accessories and the position to hold even under stress from heavier clothing items.

HANDLING & CARE GUIDELINES:

We recommend you to (dis)assemble the bust and the base on a soft and flat surface to avoid any damage.

While dressing, one often inserts the arms through the neck opening of the garment. Please ensure that the hook-fitting is opposite from the chest and rotate the arm only when the position of the ball is in front of the insert in the body. This way you avoid damaging the fabric on the bust.