

## THANK YOU FOR CHOOSING OUR QUALITY PRODUCTS.

In order to enjoy your mannequin for a long time, please pay attention to our care and handling recommendations.

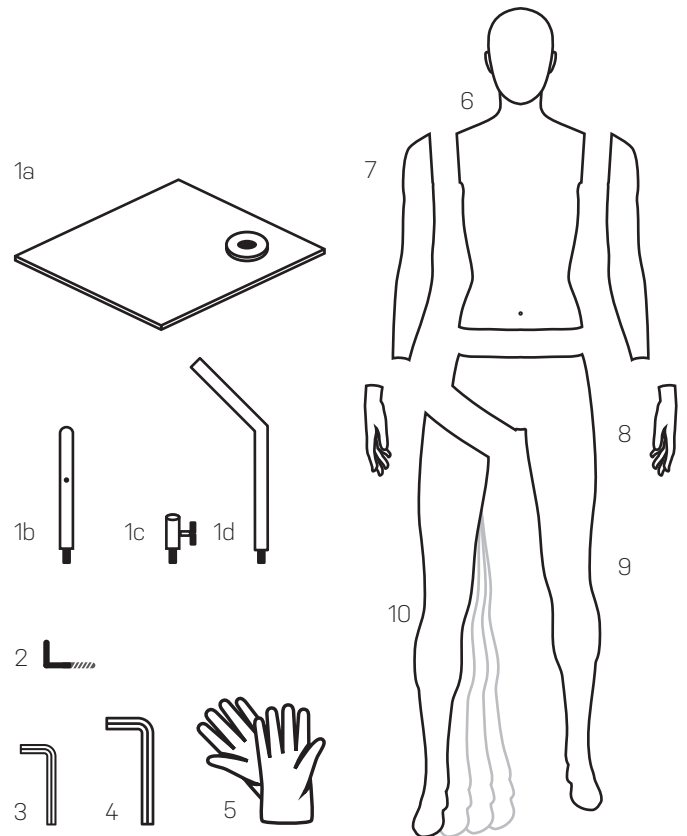
### WHAT'S IN THE BOX:

- 1a base plate
- 1b foot pin
- 1c calf pin connector
- 1d calf pin
- 2 hand accessory pin\*
- 3 small hexkey (offered if over time the base connector screws would come loose and need to be tightened again)
- 4 big hexkey (offered to set the tension of waist and leg fitting if required over time)
- 5 gloves
- 6 upper body part
- 7 arms
- 8 hands
- 9 lower body part
- 10 leg (if both legs are not connected)\*\*

\*hand accessory pin is pre-installed if possible for pose

\*\*spring leg: Display mannequins with wider leg position are equipped with a spring leg fitting. When putting on trousers, you can simply pull the legs closer without needing to disassemble the separate leg.

**Tip:** We highly recommend you to mark each part of the mannequin, base and connectors in a non-visible area like the connection ports of the torso, legs, arms and hands to keep all the components together in case of future disassembly or reassembly.



### ASSEMBLING INSTRUCTIONS:

#### STEP 1: Safety

Please take off all jewellery and put on gloves.

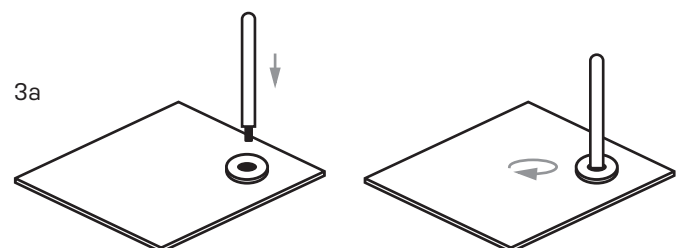
#### STEP 2: Opening the box

Use a box cutter / scissors to cut the straps, box and protective foam bags.

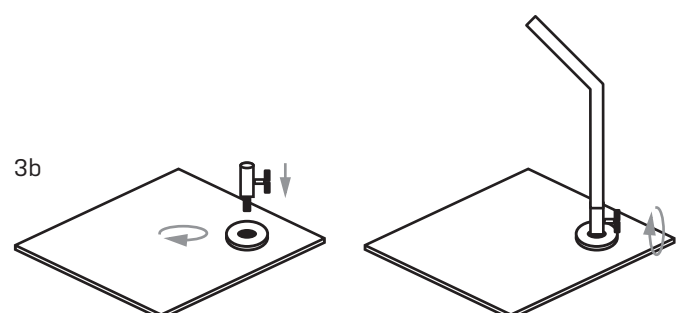
**ATTENTION!** Don't cut too deep to avoid damage on any of the mannequin components. Take all the parts out of the box one by one and place them on a soft surface.

#### STEP 3: Install the base on the floor

**3a** Screw the foot pin (1b) clockwise into the base plate.



**3b** Place the base on the floor and screw in the calf pin connector (1c) to the base plate (1a). Insert the calf pin (1d) into the calf pin connector (1c) with top of calf pin in the centre of the base and tighten the butterfly screw.



continues on other side ►

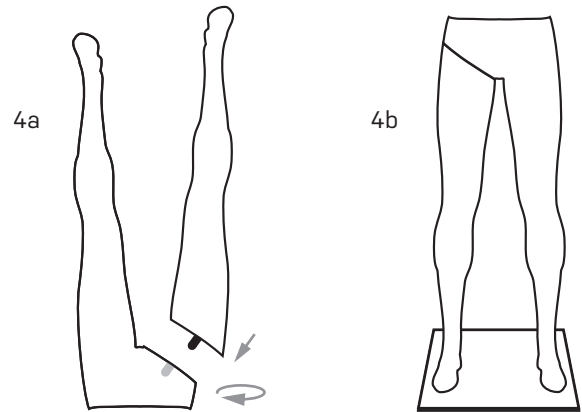
◀ begins on other side

## STEP 4: Install the leg

**4a** Place the lower body part feet up on a soft surface, now you can easily connect the separate leg onto the hip part by rotating it a quarter turn.

**Tip:** This is the perfect position to dress trousers and put shoes on.

**4b** Position the legs on the base either with foot pin or calf pin. If you are installing the calf pin, make sure to tighten the wing screw in the back of leg. Ensure that the base is stable and on a flat surface to avoid any stability problems.



## STEP 5: Install the torso

**5** Place the torso on the legs, at 90° then rotate the torso into its final position.

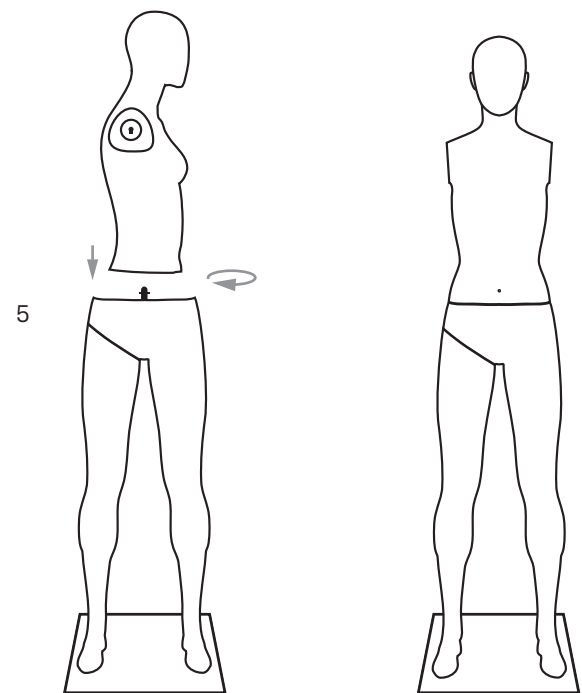
**Tip:** This is a good time to dress the torso.

## STEP 6: Install arms & hands

**6a** Connect the arms onto the torso. Once the arms are connected, they can be rotated front and back to find that perfect position.

**6b** Install now the hands entering the pin and rotate to its final position.

**Tip:** Only connect the hands once the mannequin is completely dressed.



## HANDLING & CARE GUIDELINES:

We recommend you to (dis)assemble the mannequin on a soft and flat surface to avoid any damage.

Please always remove any jewellery before handling a mannequin to avoid scratches. We advise using the provided gloves to avoid marks and stains.

While dressing, one often inserts the arms through the neck opening of the garment. Please ensure that the hook-fitting is opposite from the chest and rotate the arm only when the position of the hook-fitting is in front of the insert in the body. This way you avoid damaging the surface of the mannequin.

In order to clean the mannequin, please use a slightly moistened cloth with detergent that has been diluted with water. Minor stains can be removed with an eraser.

