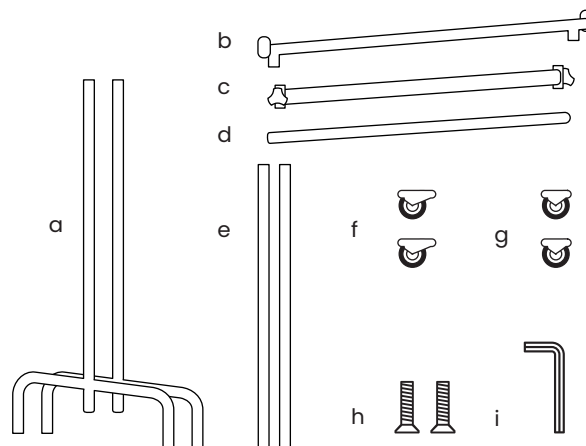


THANK YOU FOR CHOOSING OUR QUALITY PRODUCTS

In order to enjoy your new product for a long time, please pay attention to our care and handling recommendations.

WHAT'S IN THE BOX:

- a. 2 x sides with legs
- b. top crossbeam
- c. middle crossbeam
- d. bottom crossbeam
- e. 2 x height extenders
- f. 2 x wheels with break
- g. 2 x wheels without break
- h. 2 x fixation screws
- i. allen key



ASSEMBLING INSTRUCTIONS:

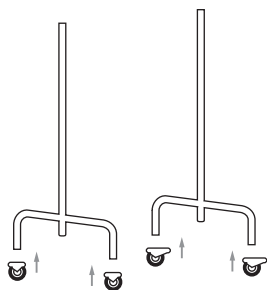
To avoid unnecessary scratches and enjoy a great looking product for a long time please consider taking off all jewellery and (dis)assembling this product on a soft surface using gloves.

Use a box cutter / scissors to cut the straps, box and protective foam bags.

In order to clean the product, use a slightly moistened cloth with detergent that has been diluted with water.

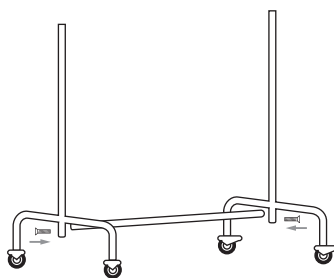
STEP 1: Install the wheels (optional)

Install the wheels by pushing them in the legs.



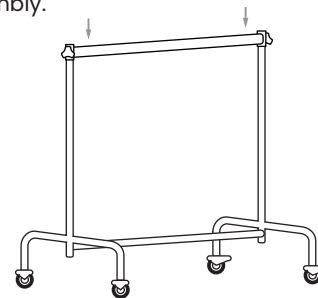
STEP 2: Securing the bottom cross beam

Using the two provided screws, secure the bottom crossbeam to the sides.



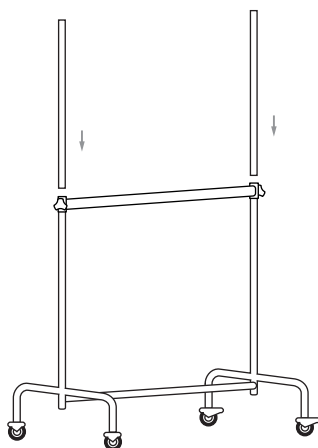
STEP 3: Attaching the middle crossbeam

Install the middle cross beam by simply placing it over the sides, select desired height and secure in place. The height can be changed at any time after assembly.



STEP 4: Attaching the height extenders

Place the height extenders over the sides.



STEP 5: Attaching the top crossbeam

Place the top crossbeam over the two sides.

