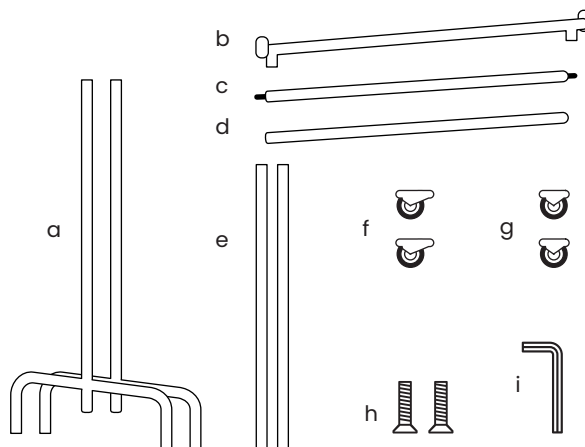


THANK YOU FOR CHOOSING OUR QUALITY PRODUCTS

In order to enjoy your new product for a long time, please pay attention to our care and handling recommendations.

WHAT'S IN THE BOX:

- a. 2 x sides with legs
- b. top crossbeam
- c. stability crossbeam
- d. bottom crossbeam
- e. 2 x height extenders
- f. 2 x wheels with break
- g. 2 x wheels without break
- h. 2 x fixation screws
- i. allen key

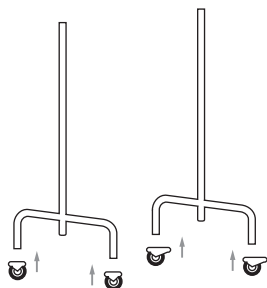


ASSEMBLING INSTRUCTIONS:

Use a box cutter / scissors to cut the straps, box and protective foam bags.

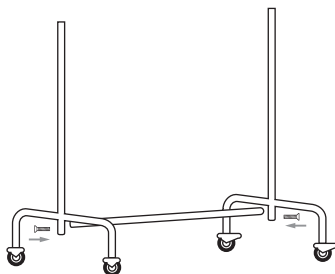
STEP 1: Install the wheels (optional)

Install the wheels by pushing them in the legs.



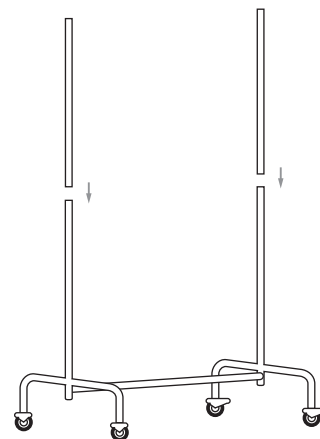
STEP 2: Securing the bottom cross beam

Using the two provided screws, secure the bottom crossbeam to the sides.



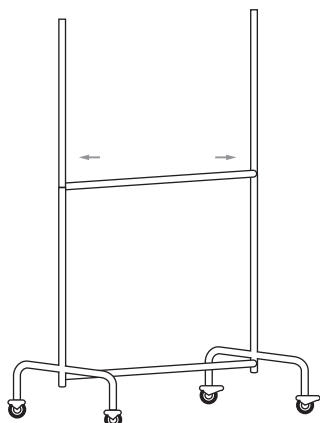
STEP 3: Attaching the height extenders

Place the height extenders over the sides.



STEP 4: Attaching the stability crossbeam

Install the stability cross beam by creating a bit of tension on the sides and simply insert the notches in the respective holes on the sides.



STEP 5: Attaching the top crossbeam

Place the top crossbeam over the two sides.

