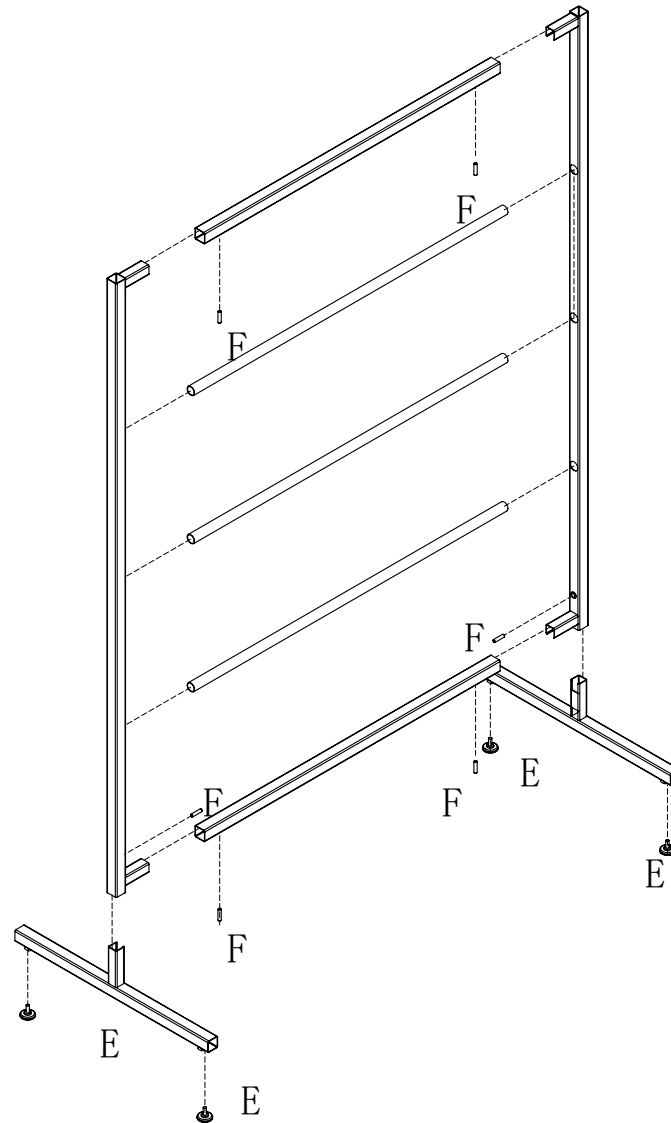
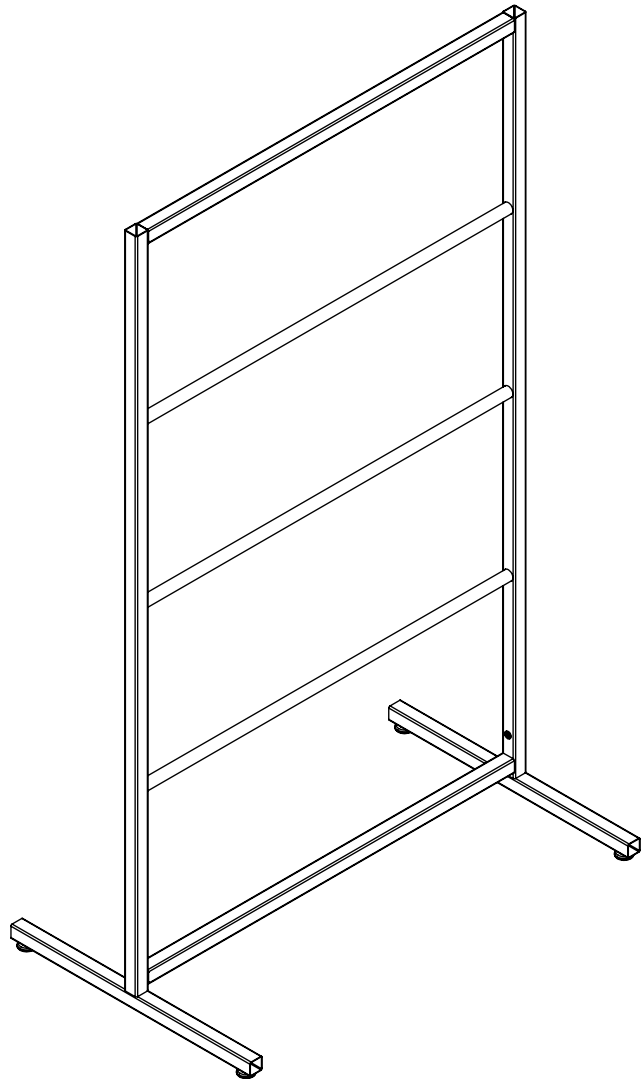





SMA02



	E	X4
	F	X6
	G	X1