

THANK YOU FOR CHOOSING OUR QUALITY PRODUCTS.

In order to enjoy the mannequin for a long time, please pay attention to our care and handling recommendations.

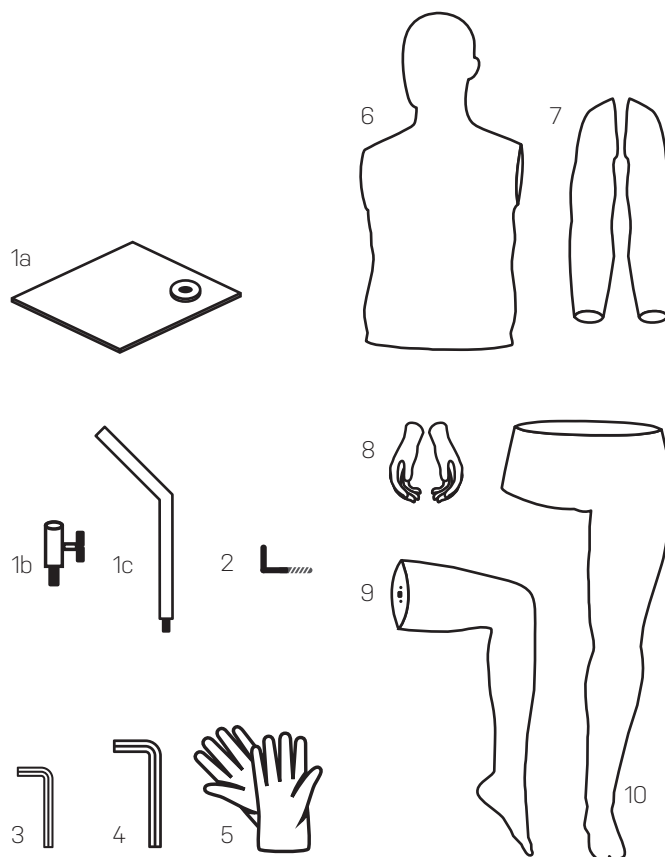
PLEASE NOTE:

Since this style is part of an extensive sports collection, the bases are optimised for each pose to offer the best stability.

WHAT'S IN THE BOX:

- 1a base plate
- 1b calf pin connector
- 1c calf pin
- 2 hand accessory pin*
- 3 small hexkey (offered if over time the base connector screws would come loose and need to be tightened again)
- 4 big hexkey (offered to set the tension of waist and leg fitting if required over time)
- 5 protection gloves
- 6 upper body part
- 7 arms
- 8 hands
- 9 leg with magnetic connector
- 10 lower body part

*hand accessory pin is pre-installed if possible for pose



Tip: We highly recommend you to mark each part of the mannequin, base and connectors in a non-visible area like the connection ports of the torso, legs, arms and hands to keep all the components together in case of future disassembly or reassembly.

ASSEMBLING INSTRUCTIONS:

STEP 1: Safety

Please take off all jewellery and put on gloves.

STEP 2: Opening the box

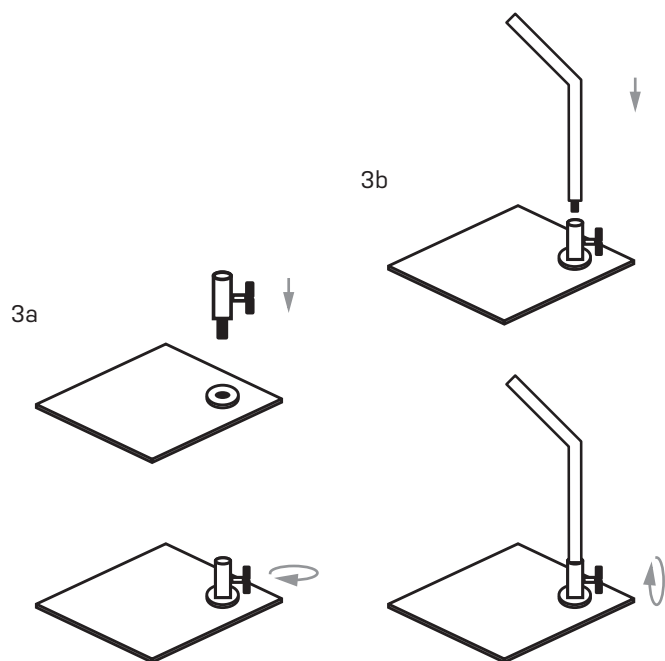
Use a box cutter / scissors to cut the straps, box and protective foam bags.

ATTENTION! Don't cut too deep to avoid damage on any of the mannequin components. Take all the parts out of the box one by one and place them on a soft surface.

STEP 3: Install the base on the floor

3a Place the base on the floor and screw in the calf pin connector (1b) to the base plate (1a). Make sure to tighten well.

3b Insert the calf pin (1c) into the calf pin connector (1b) with top of calf pin in the centre of the base and tighten the butterfly screw.



continues on other side ►

◀ begins on other side

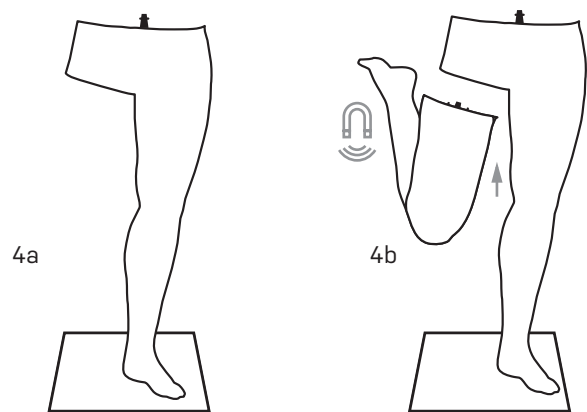
STEP 4: Install the leg

4a Place the lower body part (10) on the base and tighten the hand screw of the calf pin protector to keep the lower body in place onto the base.

4b Once the lower body (10) is positioned and fixed onto the base, attach the separate leg (9) to the lower body (10) by simply pushing it in position and it will snap in place thanks to the magnetic connector.

Tip: Make sure the garment is not caught in between the leg (9) and the lower body part (10).

Tip: This is the perfect position to dress trousers and put shoes on.

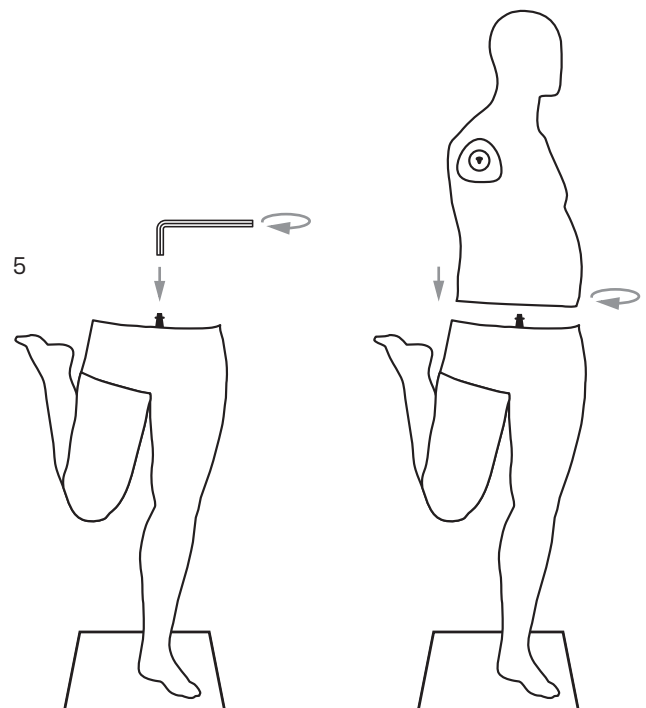


STEP 5: Install the torso

5 Place the torso (6) on the legs, at 90° then rotate the torso (6) into its final position.

Tip: Only if necessary you can use the Allen key (4) to adjust the tightness of the torso (6). Clockwise will tighten and counter-clockwise will loosen the connection.

Tip: This is a good time to dress tops.

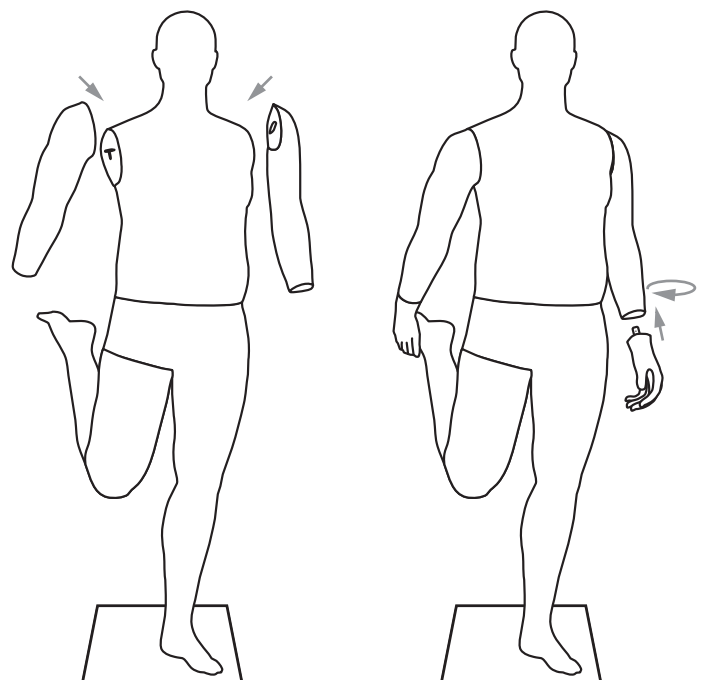


STEP 6: Install arms and hands

6a Connect the arms (7) onto the torso (6). Once the arms (7) are connected, they can be rotated front and back to find that perfect position.

6b Connect the hands (8) inserting them and turning until they reach their final position.

Tip: Only connect the hands once the mannequin is completely dressed.



HANDLING & CARE GUIDELINES:

We recommend you to (dis)assemble the mannequin on a soft and flat surface to avoid any damage.

While dressing, one often inserts the arms through the neck opening of the garment. Please ensure that the hook-fitting is opposite from the chest and rotate the arm only when the position of the hook is in front of the insert in the body. This way you avoid damaging the paint on the mannequin.

In order to clean the mannequin, use a slightly moistened cloth with detergent that has been diluted with water. Minor stains can be removed with an eraser.